



控制系统 DC134组控制器 产品说明书



DC134组控器 产品说明书



版本：A/01

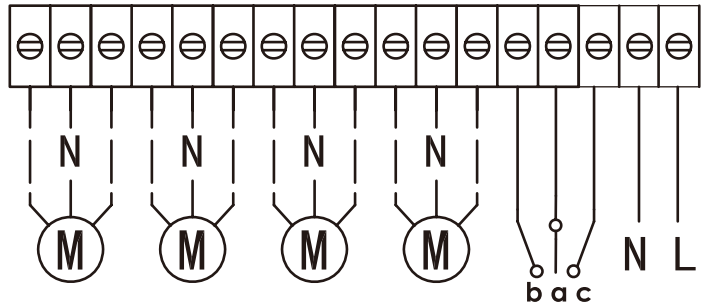
技

组控器说明

技术支持

工作电压：230V/50Hz & 120V/60Hz
 工作温度：-20°C ~ +55°C
 最大输出功率：4×250W
 操作方法：手动
 应用范围：适用于电动窗帘、电动遮阳帘、
 电动投影屏幕、电动门窗
 技术支持：一台DC134需要搭配翘板开关
 才可以使用
 一台DC134可以同时控制4台
 标准电机

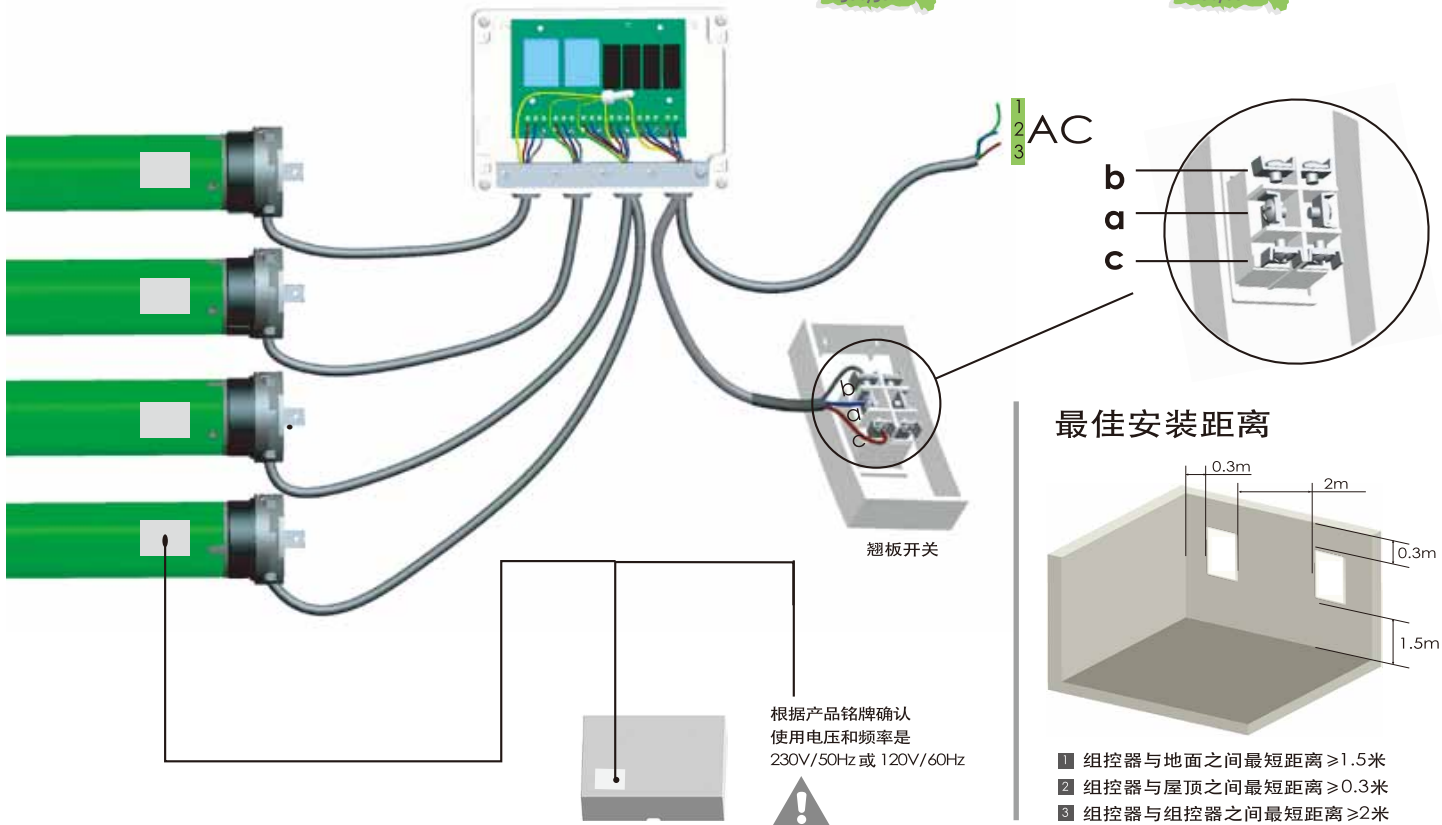
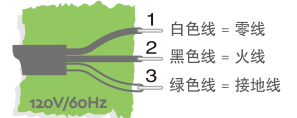
接线原理



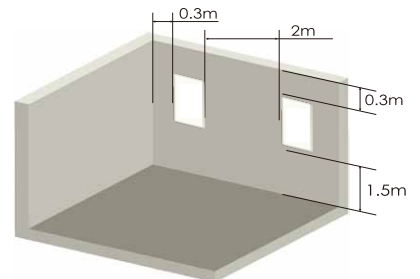
技

接线方式

技术支持



最佳安装距离



- ❶ 组控器与地面之间最短距离≥1.5米
- ❷ 组控器与屋顶之间最短距离≥0.3米
- ❸ 组控器与组控器之间最短距离≥2米

DC134 group control system Specification



Version No. : A/01

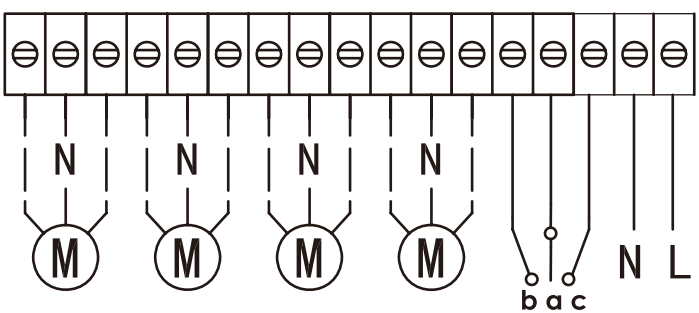
T Group controller specification

Technical Support

Work voltage : 230V/50Hz & 120V/60Hz
Work temperature : 0℃~+50℃
output: 4×250W
Operation way: manual
Application range : for motorized blind, electric awning, electric projection screen, electric door and window

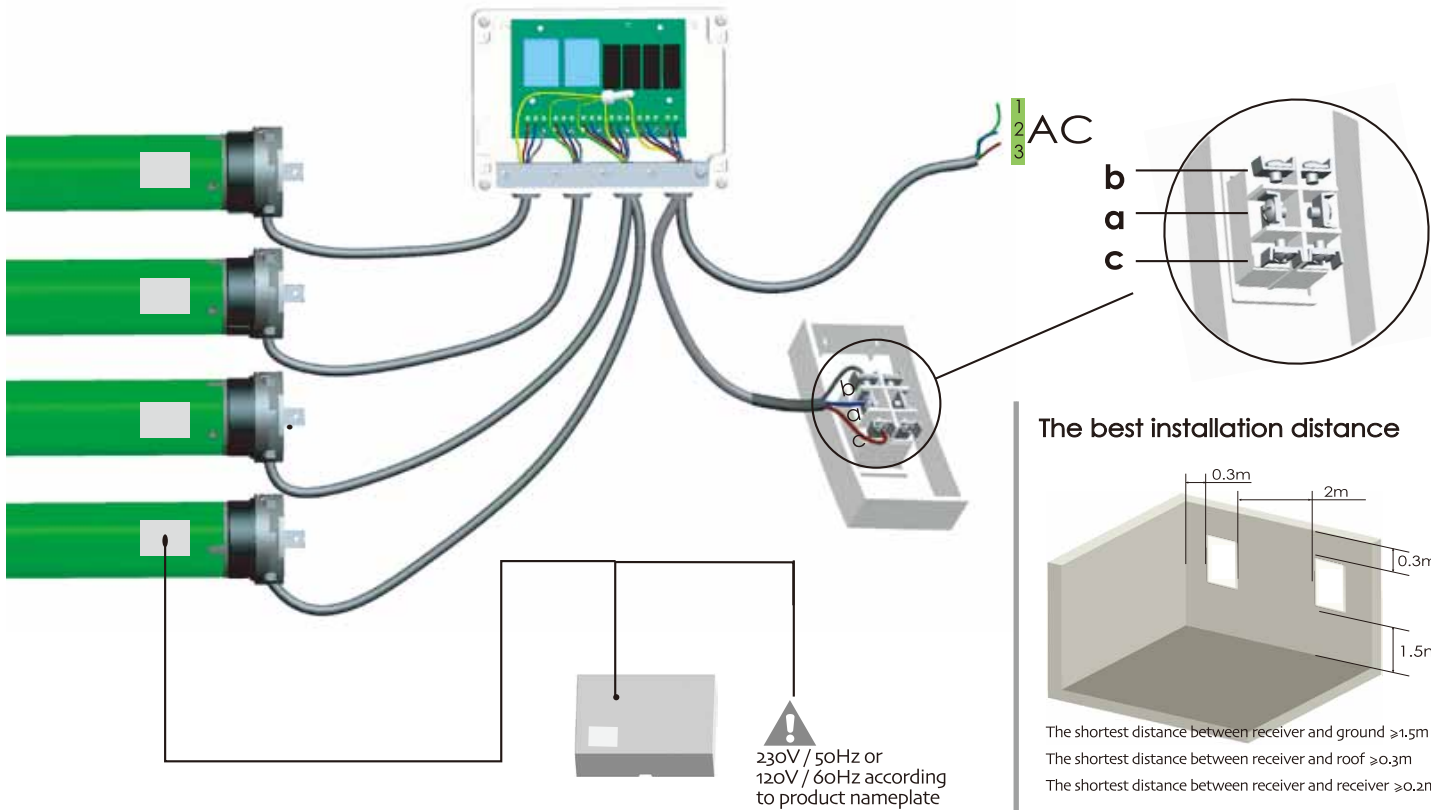
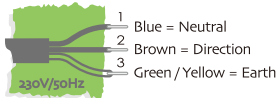
Technique support : (1) DC134 can only be used with a manual switch
 (2) Each DC134 can control 4 standard motors at the same time

Wiring principle schematics

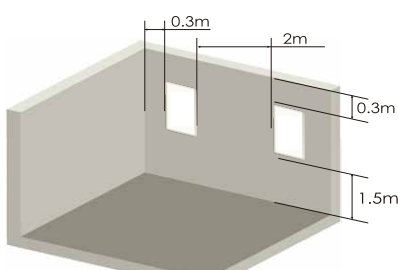


T Circuit installation

Technical Support



The best installation distance



The shortest distance between receiver and ground ≥1.5m
 The shortest distance between receiver and roof ≥0.3m
 The shortest distance between receiver and receiver ≥0.2m